

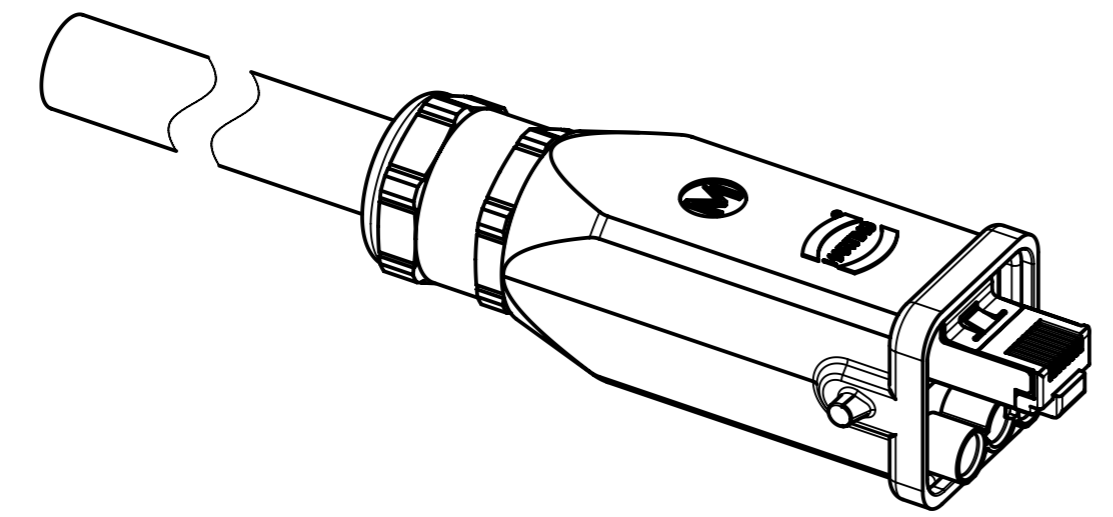
Loading-Plan (Data)

Shield
1 White/green
2 Green
3 White/orange
4 Blue
5 White/blue
6 Orange
7 White/brown
8 Brown

Loading-Plan (Power-DC version)

1 black
2 blue
PE green/yellow

-Protection level: IP67
 -Temperature range: -30°C ...+70°C



10	33571110800001	Hybrid cable, 4x2AWG26/7+3x2.5 sqmm	80
9	33571110750001		75
8	33571110600002		60
7	33571110450001		45
6	33571110400001		40
5	33571110200001		20
4	33571110120001		12
3	33571110100001		10
2	33571110050001		5
1	33571110010001		1
Cont. no.	Part-no.	Type of cable	Dim. a[m]

All rights reserved Department EC PD - RO		All Dimensions in mm Original Size DIN A3	Scale 2:1	Free size tol.	Ref. Sub.
HARTING Electronics GmbH D-32339 Espelkamp		Created by POPESCU	Inspected by AVRAM	Standardisation HOFFMANN	Date 2015-12-18
Title Han 3A RJ45 Hybrid Cable Assembly		Type TB		State Final Release	
Number 3357111XXX000X		Doc-Key / ECM-Nr. 100172821/UGD/015/C 50000098235		Rev. C	Page 1/1